

## Tactical Vertical Grip with Integrated Laser and Flashlight

ITEM: HG23

# INSTRUCTIONS

### Tactical Vertical Grip with Integrated Laser and Flashlight

You are the proud new owner of the Tactical Vertical Grip with Integrated Laser and Flashlight, that are designed to mount directly to long guns that are equipped with a Weaver / Picatinny style accessory rail. This product will give you years of service, by simply following these easy instructions. 750 Lumens, Cree T6 Bulb, with 5mW blue Laser Sight (adjustable), Lithium Batteries, Thumbscrew rail clamp fits 21mm Weaver & Picatinny Rail, 4 Modes.

**NOTE: PLEASE FOLLOW ALL OF THE DIRECTIONS IN THIS MANUAL CAREFULLY.**

**CAUTION:** ALWAYS PRACTICE SAFE FIREARMS HANDLING! CAUTION: BE SURE THAT THE FIREARM IS UNLOADED BEFORE PERFORMING ANY OF THE FOLLOWING PROCEDURES! BE SURE THAT THE FIREARM IS POINTED IN A SAFE DIRECTION AT ALL TIMES!

**WARNING:** DO NOT ATTEMPT TO PERFORM ANY MAINTENANCE OR ALTERATIONS TO THE TACTICAL VERTICAL GRIP WITH INTEGRATED LASER AND FLASHLIGHT BEYOND WHAT IS IMPLIED WITHIN THIS MANUAL. DOING SO WILL VOID THE WARRANTY.

**DANGER:** AVOID DIRECT EYE EXPOSURE TO LASER BEAM. LASER RADIATION IS EMITTED FROM THE APPERTURE.

If you are not sure about any of the procedures in this manual, always seek the help of a qualified professional to avoid damage to your Laser sight and your firearm.

**KEEP OUT OF THE REACH OF CHILDREN.**

### **FOR ADULT USE ONLY.**

#### **Statement**

The product has been carefully checked and tested in our factory; please check carefully whether the product appearance is damaged caused by transport and whether the accessories are complete before using the product. The accessories include: 1. Tactical Vertical Grip; 2. 1.5mm Allen wrench; 3. 3mm Allen wrench; 4. Instruction manual ; 5. 3pcs CR123A battery.

#### **Warning**

**DANGER: AVOID DIRECT EYE EXPOSURE TO LASER BEAM.  
LASER RADIATION IS EMITTED FROM THE APPERTURE.**

#### **Maintenance**

If this product is used in an environment with more dust, vapor and smoke, which led to the lowering of beam quality, it is recommended to gently wipe the lens of optical port by using a clean and soft cloth or lens cleaning paper in a timely manner. Unless a professional, no wiping with any solvents is allowed, so as to avoid product light quality degradation caused by the lowering of lens quality.

#### **Battery Installation**

Before you mount and use your Tactical Vertical Grip with Integrated Laser and Flashlight, you must first insert the three supplied CR123A batteries. This is a very simple procedure that

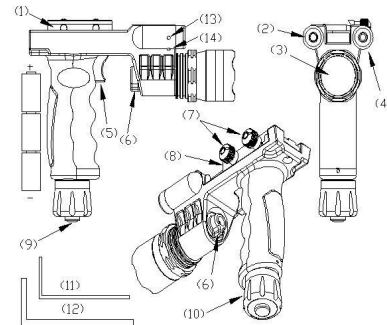


Figure 1

takes only a few moments. You begin by grasping the Vertical Grip in one hand, and remove the crown-shaped cap(10) on the bottom of the grip. This will reveal the battery compartment. Install three CR123A lithium batteries with positive side face down refer to the Figure 2. Re-install the cap(10). Do not use any tools for this procedure as this may cause damage to the unit. When it is time to replace the batteries, only use brand new CR123A Lithium batteries.

**NOTE:** PROPERLY DISPOSE OF THE USED BATTERIES, ACCORDING TO LOCAL & STATE ORDINANCES. DO NOT MIX A NEW BATTERY WITH A USED BATTERY IN THE FLASHLIGHT & LASER.

#### **Mounting**

The Tactical Vertical Grip with Integrated Laser and Flashlight

is equipped with a weaver style mount with two locking screws. To install, first loosen both mounting screws (7) Counter-Clockwise so that the fixture block (8) becomes loose;. Once you have the mount (1) in the desired position, tighten the two outside crown-shaped head screws (7) Clockwise to secure the mount to your rail. Be careful not to over tighten the mounting screws (7) to avoid stripping them.

**CAUTION:** BEFORE BEGINNING INSTALLATION OF YOUR LASER SIGHT BE SURE THAT THE FIREARM IS UNLOADED. ALWAYS PRACTICE SAFE FIRE ARMS HANDLING PROCEDURES.

**WARNING:** THE TACTICAL VERTICAL GRIP WITH INTEGRATED LASER AND FLASHLIGHT WILL SECURELY MOUNT ONTO MOST WEAVER & PICATINNY RAILS, BUT NOT ON ALL. IT WILL DEPEND ON THE LOCATION OF THE CROSS-SLOT(S) ON THE RAIL, IF THE RECOIL LUG WILL ALLOW THE VERTICAL GRIP TO FIT ONTO THE RAIL.

## **Dismounting**

To remove the Tactical Vertical Grip with Integrated Laser and Flashlight from a rail. Turn the two Adjuster screws(7) Counter-Clockwise to loosen mount. You can then remove the vertical grip from the rail.

## **Switch Operation**

Once you have your Tactical Vertical Grip with Integrated Laser and Flashlight mounted, it is very easy to turn the flashlight or laser On/Off. On the rear of the Flashlight & Laser Main Body, you will notice a round Selective Switch (6) and a Trigger Mechanism Switch (5) and a bottom Main ON/OFF Kill

Switch(9).

The bottom Main ON/OFF Kill Switch (9) is powers the unit on and off. When the switch is depressed, the Flashlight or Laser is turned On. When the switch is depressed again, the Flashlight or Laser is turned Off. The switch will cycle through the On/Off modes each time it is depressed.

A Trigger Mechanism Switch (5) has four Mode Settings. These are Daytime operating mode and Nighttime operating mode 1 and Nighttime operating mode 2 and Night operating mode 3.

### **Daytime operating mode**

Turn the main switch on and place the selective switch (6) to 7 o'clock position. The unit is now in daytime operating mode. The pilot light is inactive when engaged in daytime operating mode. Depress and hold the trigger to activate the blue laser sight.

### **Nighttime operating mode 1**

Turn the main switch on and place the selective switch (6) to the 6 o'clock position. The unit is now engaged in nighttime operating mode 1. The flash light will be activated. The flashlight strobe feature may be activated by depressing and holding the trigger.

### **Nighttime operating mode 2**

Turn the main switch on and place the selective switch (6) to the 5o'clock position. The unit is now engaged in nighttime operating mode 2. The pilot light is on. Depressing and holding the trigger will activate the blue laser sight. The pulsating laser beam feature may be activated by depressing and releasing the trigger.

### **Night operating mode 3**

Turn the main switch on and place the selective switch (6) to the 4 o'clock position. The unit is now in nighttime operating mode 3. The flash light is on. Depress and hold the trigger to activate

the blue laser sight. The pulsating laser beam feature may be activated by depressing and releasing the trigger.

**If the unit will not illuminate, check to make sure that the batteries are installed in the proper direction. To conserve the life of the batteries, be sure that the unit is in the Off position when not in use. If you plan on storing the unit for a long period of time, please remove the batteries.**

## **Laser Windage and Elevation Adjustments:**

To adjust the Windage of the Laser, insert the provided Allen wrench (11) into the head of the Windage Adjuster Set Screw (13) located to the Right side of the laser body. Turn the Windage Adjuster Clockwise to adjust the Laser Dot to the Left. Turn the Windage Adjuster Counter-Clockwise to adjust the Laser Dot to the Right.

To adjust the Elevation of the Laser, insert the provided Allen wrench (11) into the head of the Elevation Adjuster Set Screw (14) located to the Bottom side of the laser body. Turn the Elevation Adjuster Clockwise to adjust the Laser Dot to Up. Turn the Elevation Adjuster Counter-Clockwise to adjust the Laser Dot Down.

**SPECIAL NOTE:** THIS UNIT WILL ONLY WORK UNDER THE TEMPERATURES LISTED ABOVE. THE UNIT WILL NOT WORK IN EXTREME COLD OR EXTREME HEAT.

## **Specifications:**

- Model: HG23
- Flashlight: 6 watt LED
- Bulb: CREE T6 LED Bulb
- Flashlight Output / Brightness: 750 lumens
- Pilot light: White LED

- Laser Maximum output power: <5mW (optional)
- Laser Wavelength: 450nm (lime blue)
- Class 3a laser Product
- Voltage: 9.0V
- Requires 3pcs of CR123A batteries
- Runtime: about 1 hour
- Working Temperature:-20°C ~ +60°C
- Storage Temperature:-20°C ~ +60°C
- Four modes:
  - a)Laser (trigger switch control)
  - b)Head flashlight always on; head flashlight in strobe feature(trigger switch control)
  - c)Pilot light always on; Laser (trigger switch control)
  - d)Head flashlight always on; Laser (trigger switch control)
- Body Material: ABS
- Body Color: Black
- Weight: 20 ounce
- Length: 7.5 inch
- Height: 6.3 inch
- Width: 2.6 inch
- ASR---Anti Shock Reinforcement
- Thumbscrew rail clamp fit 21mm Rail
- Place of Origin: China (Mainland)

**CAUTION - LASER LIGHT IS BRIGHT AND BLINDING - DO NOT SHINE AT AIRCRAFT OR VEHICLES AT ANY DISTANCE.**