

Multi-Reticle Green Laser Designator

With Quick-Release Mount

ITEM: HG33

INSTRUCTIONS

NOTE: PLEASE FOLLOW ALL OF THE DIRECTIONS IN THIS MANUAL CAREFULLY.

ATTENTION:

THIS LASER DESIGNATOR IS A POWERFUL DEVICE THAT REQUIRES SPECIAL ATTENTION TO ITS USE. READ THE FOLLOWING INSTRUCTIONS AND SAFETY PRECAUTIONS CAREFULLY BEFORE USE.

CAUTIONS: USE OF CONTROLS OR ADJUSTMENTS OR PERFORMANCE OF PROCEDURES OTHER THAN THOSE LISTED HERE MAY RESULT IN HAZARDOUS RADIATION EXPOSURE.

AVOID DIRECT EYE EXPOSURE TO THE LASER BEAM.

KEEP OUT OF THE REACH OF CHILDREN.

FOR ADULT USE ONLY.

Statement:

The product has been carefully checked and tested in our factory, please check carefully whether the product

appearance is damaged caused by transport and whether the accessories are complete before using the product. The accessories include:1.One piece of laser sight with quick-release mount;2.Allen wrench;3.Three piece of image forming implement;4.Straight screwdriver;5.CR123 battery; 6.One piece of remote wire pressure switch; 7. Instruction manual .

Note: Always be sure to turn off this laser sight after use to avoid draining the battery. When you won't use it for a long time, remove the battery.

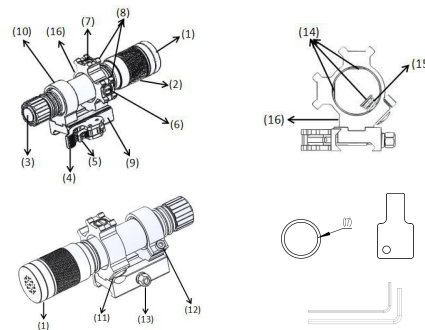


Figure 1

SPECIFICATIONS:

- Model: HG33
- Wavelength: 532nm
- Power Output:<5mW
- Class 3a laser product
- Working Temperature:0℃ ~ +35℃
- Storage Temperature:-20℃ ~ +60℃
- Size (laser only): 1" Ø x 6.38"L
- Weight : (1) Rail Mount:3.85 oz (110g)
(2) Sight with Battery: 5.11 oz (135g)
- Battery: One CR123 Lithium Battery
- Battery Life: 4 hours
- Material: Aircraft aluminum 6061-T6
- Finish: Anodic oxidation/ black
- Operation: (1) ON/OFF button;
(2) Remote wire pressure switch.
- Place of Origin: China (Mainland)

ATTACHING THE CORRECT MOUNT TO THE DEVICE

WARNING: BE CERTAIN THAT YOUR GUN IS UNLOADED AND POINTING TO A SAFE

DIRECTION

Simply slide the appropriate rail into your gun by handling the fast loading key(4)&(5). The windage of the rail can be adjusted by twisting the screw(13).

ACTIVATING THE LASER:

WARNING: DO NOT LOOK DIRECTLY INTO THE LASER BEAM OUTPUT APERTURE DURING OPERATION. PERMANENT EYE DAMAGE MAY RESULT.

EXERCISE SAFE GUN HANDLING. SHOOT ONLY AT AN APPROVED RANGE OR SUITABLE LOCATION. USE EYE AND EAR PORTECTION AS NECESSARY.

A. Installing the battery:

Your new laser is powered by one long-life lithium battery. First, turn the battery cap(3) counter-clockwise until it's free from the main body of the laser sight; Next ,insert the battery into the battery holder with the positive "+" side up, then turn the battery cap(3) clockwise until tight.

B. Installing the main body of laser sight:

At first, loosen the screws(7),(6),(11)&(12) of rings by using the Allen wrench and the straight screwdriver

included in your package. Second, insert the rubber circle(17) along with the ring(10).Third, insert the spring(15) and rubber pads(14) along with the ring(16).Then, slide the main body of laser sight from the direction as same as the Figure 1.At last, tighten the screws (7), (6), (11)&(12) by provided Allen wrench and the straight screwdriver.

C. ON/OFF button:

The laser is on by depressing the button(3) until it clicks, and the laser is off by the same procedure.

D. Remote wire pressure switch:

The laser sight is on by pressing the wire switch pad, and the laser sight is off by releasing the wire switch pad.

Note: Always be sure to turn off the button after use to avoid draining the battery. When you won't use it for a long time, remove the battery.

E. Adjust the size of the laser spot:

The size of the laser spots can be changed by twisting the part(2), when you focus on the target, please twist the part(2) counterclockwise, the size of laser spots will be bigger, and twist it clockwise, the size of laser spots will be smaller.

F. Zeroing:

Fire a few shots at a target, if the point of impact is directly in the center of the target, then the laser sight is zeroed. Otherwise the sight needs to be adjusted both windage and elevation by twisting the windage adjustment screw(6) and the elevation adjustment screw(7).

Using the straight screwdriver included in your package, turning the windage adjustment screw clockwise will move the laser spot to the left. While turning this screw counter-clockwise will move the laser spot to the right.

Using the the straight screwdriver included in your package, turning the elevation adjustment screw clockwise will move the laser spot down. While turning this screw counter-clockwise will move the laser spot to the right.

SPECIAL NOTE: THIS UNIT WILL ONLY WORK UNDER THE TEMPERATURES LISTED ABOVE. THE UNIT WILL NOT WORK IN EXTREME COLD OR EXTREME HEAT. ONCE THE UNIT IS RETURNED TO NORMAL TEMPERATURES IT WILL WORK PROPERLY.

REPLACING THE BATTERY:

The battery included in your package will provide long service. However, if the dot grows to be dim, the battery may need to be replaced. To do so, remove the used battery and replace with the new battery.

Note:If you are not sure of any of the procedures in this manual, always seek the help of a qualified professional to avoid damage to your laser flashlight and your firearm.

CAUTION - LASER LIGHT IS BRIGHT AND BLINDING - DO NOT SHINE AT AIRCRAFT OR VEHICLES AT ANY DISTANCE.