

MRS Full Sight

ITEM:MRS-OSP-FULL

INSTRUCTIONS

NOTE: PLEASE FOLLOW ALL OF THE DIRECTIONS IN THIS MANUAL CAREFULLY.

CAUTIONS: USE OF CONTROLS OR ADJUSTMENTS OR PERFORMANCE OF PROCEDURES OTHER THAN THOSE LISTED HERE MAY RESULT IN DAMAGE OF YOUR RED DOT SIGHT AND FIREARMS.

KEEP OUT OF THE REACH OF CHILDREN.

FOR ADULT USE ONLY.

Statements:

The product has been carefully checked and tested in our factory, please check carefully whether the product appearance is damaged caused by transport and whether the accessories are complete before using the product. The accessories include: 1.One piece of red dot sight with cover(to protect your red dot sight while not in use); 2.Three

piece of Allen wrench; 3.One piece of CR1632 battery;
4.One piece of lens cleaning wiper; 5. Instruction manual .

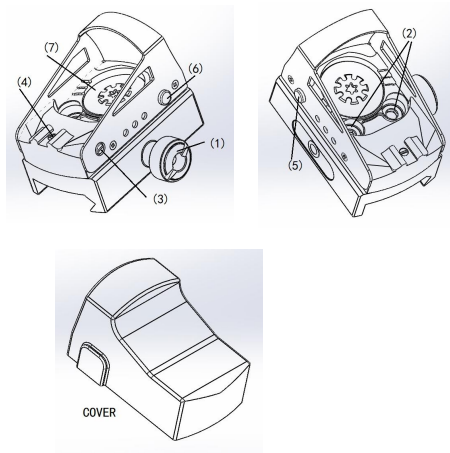


Figure 1

SPECIFICATIONS:

- Model: MRS-OSP-FULL
- Brand Name: Osprey Global
- Working current<2mA
- Working voltage:3V
- Wavelength: 650nm
- Dot Size: 2MOA
- Objective Lens:22.5mm*16mm
- Lens Coating:Multi Coated
- Length: 1.8"
- Height :0.95" (without Mount)
- Width : 1"
- Weight: 2.2oz (with Battery)
- Reticle : 8 Levels Red Dot
- Battery: 1pc CR1632 Lithium Battery
- Material: Aircraft aluminum 6061-T6
- Finish: Anodic oxidation/ black
- Working Temperature:-20℃ ~ +60℃
- Storage Temperature:-20℃ ~ +60℃
- Battery life:approx 100~300 hours
- Place of Origin: China (Mainland)

Steps:

A. Installing the red dot sight:

CAUTION: BEFORE BEGINNING INSTALLATION OF YOUR RED DOT SIGHT BE SURE THAT THE FIREARM IS UNLOADED. ALWAYS PRACTICE SAFE FIREARMS HANDLING PROCEDURES.

Loosen the master screw(1) on the side of the red dot sight, insert the red dot sight into the mount of your firearm by tightening the master screw(1), please pay attention, after tightening the master screw(1) by hand, you must tighten it again with the allen wrench to prevent the unit from falling off your gun.

The red dot can also be mounted on the pistol through the **special base**. The reference diagram of the **special(VT)** base size is as follows:Figure 2.

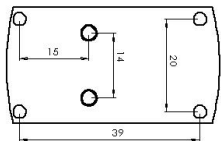


Figure 2

B. Zeroing:

WHEN OPERATING ANY TYPE OF FIREARM ALWAYS USE PROPER EYE AND EAR PROTECTION.BE SURE TO USE YOUR FIREARM IN AN AREA THAT IS PERMISSIBLE UNDER LOCAL, STATE, AND FEDERAL LAW.

CAUTION: LOOKING DIRECTLY AT THE SUN THROUGH THIS UNIT MAY RESULT IN PERMANENT EYE DAMAGE.

Adjustment screws(3)&(4) are for the adjustment of elevation & windage.

C. ON/OFF Button:

Press ON/OFF button(5)or(6) till it clicks, the red dot sight is on. Push button switch provides varying intensities, in total 8 levels. Mode 1 is day mode, mode 2 and 3 are cloudy mode, mode 4 and 5 are indoor mode, and mode 6 and 7 are night mode, and mode 8 is night vision sight mode.

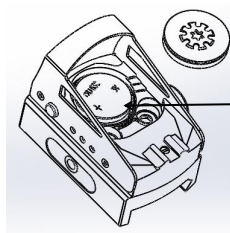
If you want to turn off the red dot sight at anytime, just continuous press ON/OFF for more than 2 seconds. If you

want to turn on the red dot sight,just press ON/OFF quickly and the mode is still the previous.

D. Exchange the battery:

Loosen the cover(7) on the top of the red dot sight by the Allen wrench, remove the old battery, replace a new battery, please make sure the positive end “+” of the battery faces towards you,otherwise it could damage your product.At last, tighten the cover(7).

Following images - Figure 3 is for your reference to install the battery.



Positive end'+'

Figure 3

Note: While not in use be sure that the unit is covered and ON/OFF button is off to preserve battery life.

SPECIAL NOTE: THIS UNIT WILL ONLY WORK UNDER THE TEMPERATURES LISTED ABOVE. THE UNIT WILL NOT WORK IN EXTREME COLD OR EXTREME HEAT.IF YOU WON'T USE IT FOR A LONG TIME,PLEASE REMOVE THE BATTERY.

Note:If you are not sure of any of the procedures in this manual, always seek the help of a qualified professional to avoid damage to your laser device and your firearm.