



**INSTRUCTION MANUAL  
SD3-9x40MDG**



[WWW.OSPREYSCOPES.COM](http://WWW.OSPREYSCOPES.COM)

**CAUTION: BE SURE THAT THE FIREARM IS NOT LOADED.  
PRACTICE SAFE FIREARM HANDLING AT ALL TIMES.**

## RETICLE FOCUS ADJUSTMENT

---

The purpose of eyepiece focusing is to adjust the scope so that the reticle (crosshairs) appears clear and sharp. All Osprey riflescopes are factory set for 20/20, or corrected to 20/20 vision. If the reticle does not appear sharp, you can adjust it as follows:

Point the scope at a bright, featureless surface any distance away (blank wall, sky, a sheet of white paper) and with your eye about three inches from the eyepiece, rotate the eyepiece adjustment knob clockwise or counterclockwise until the reticle becomes clear and sharp. It may help to look away and then back through the eyepiece to confirm the correct setting.

## MOUNTING

---

To get the best performance from your Osprey scope, it must be mounted properly. If you are not familiar with mounting a riflescope, it is strongly recommended that you seek the assistance of a qualified gunsmith. If you decide to mount it yourself, proceed as follows:

1. Make sure you have an appropriate base for your firearm based on your firearms instructions.
2. Care should be taken when attaching to a weaver-style or picatinny base to ensure that the ring mount's cross bolt fits into the grooves provided. Tighten loose enough so that the scope can be slid forward and backward and rotated.
3. With the firearm held in a comfortable shooting position or on a gun vice, slide the scope forward and backward until a full field of view is achieved.

**CAUTION: BE SURE THAT THE SCOPE IS MOUNTED A SUFFICIENT DISTANCE FROM YOUR EYE TO PREVENT CONTACT UNDER RECOIL.**

Next, rotate the scope so that the elevation knob is on top, the windage on the right side and the vertical and horizontal portions of the crosshair are aligned with the vertical and horizontal axis of your firearm. You may also use a bubble level to ensure the riflescope and crosshairs are square.

4. Carefully tighten the screws and double check that you have enough distance between your eye and the scope to avoid contact under recoil. For additional security,

a drop of thread-locking fluid can be added to the screws before final tightening.

## **WINDAGE AND ELEVATION**

---

Your Osprey scope has precise windage (left and right), elevation (up and down) adjustments, with audible and tactical clicks. The click value is 1/4 MOA.

Your windage and elevation are pre-centered at the factory to provide a maximum range of adjustment in all directions from center. The knobs are marked "UP" or "RIGHT" and have an arrow indicating the direction of rotation necessary to move the point of impact. Your Osprey scope allows you to reset the windage and elevation knobs. After zeroing, they enable you to reset the zero mark on the windage or elevation turrets to the index mark on the scope. If you wish to do this, it can be done as follows:

After zeroing at the desired sight-in distance use the included wrench to loosen the small setscrew that secures the external turret to the hidden internal windage/elevation turret. When loose, spin the external turret until the zero mark corresponds to the index marker on the body tube or turret. Be careful not to rotate the internal turret (making clicks) when rotating the external turret or your zero setting will be changed.

## **ZOOM OR MAGNIFICATION**

---

The zoom or magnification enables the shooter to accommodate a wide variety of shooting situations. To change magnification, simply rotate the power adjustment knob. When hunting, it is generally best to use the lowest magnification setting for the widest field of view and brightest image and save high magnification for stationary game at long range.

## **ZEROING**

---

**CAUTION: BE SURE THAT THE FIREARM IS NOT LOADED.  
PRACTICE SAFE FIREARM HANDLING AT ALL TIMES**

Bore sighting should be done to achieve rough alignment of the scope to the firearm. This is best accomplished using an Osprey bore sight.

If a bore sight is not available, place the firearm on a sturdy rest and sight down the bore or along the barrel at a target about 50 yards away.

Adjust the windage and elevation turrets until the crosshair corresponds with the target viewed through the bore or alongside the barrel.

## **MAINTENANCE & CLEANING**

---

Your Osprey scope is extremely durable. But it is a precision instrument and should be treated with reasonable care. When not in use, be sure to cover the objective and ocular lenses with the provided lens caps.

### **LENSES**

---

Should the lenses become dirty, blow loose materials off the lenses before cleaning. Use lens cleaning fluid and a soft cloth to dab at the surface and remove any abrasive bits of dust and dirt before applying more pressure. Be patient and clean in steps. Be careful not to grind abrasive dust or dirt into the lens. The optical coatings are hard and will last indefinitely with proper care.

### **EXTERIOR**

---

The body of the scope should be wiped down occasionally to remove fingerprints or dust. Do not use oil or solvent as these may be harmful if inadvertently rubbed onto the

optical coatings.

## MECHANICAL & STORAGE

Mechanical parts have been lubricated at the factory with special hermetic grease and need no further attention. This grease is temperature-stable from -50 to +175 degrees Fahrenheit. Do not store at temperatures outside this range (for example a car trunk on a very hot day).

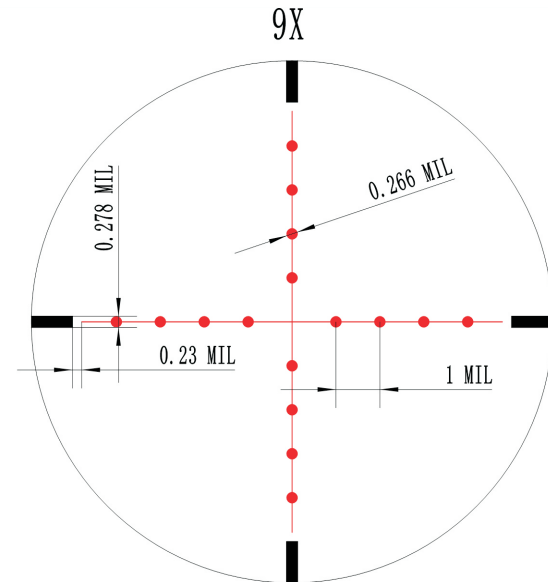
## FEATURES OF OSPREY SCOPE

- The Osprey scope model is entirely unique, and custom made to Osprey
- MADE in USA
- U.S. made 3m or Loctite epoxy used in all bonding applications
- Hermetic grease is used for superior waterproof and fog-proof performance
- Waterproof tested at 25 cm/40 degree C for three minutes
- Fog-proof tested at 20 degrees C for thirty minutes and removed to ambient (each scope must completely clear in 2 minutes)
- Each scope is spin-centered for balance before leaving the factory
- No-nonsense lifetime warranty/three business day repair or replacement
- Optical lenses from Hoya of Japan
- 100% of all units are inspected to ensure quality
- Each scope is all glass, with all air-to-glass surfaces fully multi-coated.
- Inside of each body tube is specially treated with anti-reflective paint and light stops to reduce internal reflections.

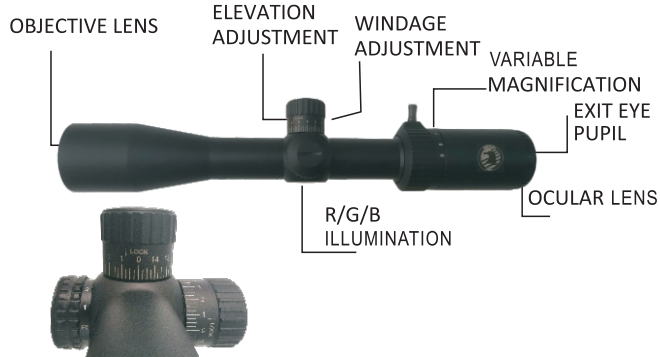
## SPECIFICATION

Power	3x-9x	Lens Coating	Multi Coated
Objective	40mm	Illuminated Color	RED, GREEN, BLUE
Focal Plane	Second	Recoil	1000G/100times
Tube Diameter	30mm	W/E Clicks	0.25MOA 60 Clicks per turn
Reticle Type	Glass Etched Reticle	Weight	20.6 oz
Eye Relief	@ LX 4.41"	Length	12.6"
	@ HX 3.54"	Elevation Adjustment	50
FOV	@ LX(ft.@100yds)38.1	Range(MOA)	50
	@ HX(ft.@100yds)12.5	Windage Adjustment	50
Exit Pupil	@ LX 0.52"	Range(MOA)	50
	@ HX 0.173"	Fixed Parallax	100 Yards

Either the vertical or horizontal Mil scale can be used to range for your target. Please note the MIL Dots are true at 9X (max) power/magnification, try to read Mil as accurately as possible, Reading 0.266mil accuracy will provide a more accurate range to the target, therefore, using the end of either the horizontal or vertical scale will yield measurements in 1 mil increments.



## FEATURES



### OBJECTIVE LENS

Front lens denoted by the last number in the scope description  
(i.e. 3-9x40 means the diameter of the front lens is 40 mm)

### VARIABLE MAGNIFICATION

The “power” of the scope denoted by the first series of numbers in the scope description. The power will bring an object in closer  
(i.e. 3-9x40 means the scope has a “variable” power from 3 to 9)

### WINDAGE ADJUSTMENT

The turret on this side of the scope will adjust the reticle from left and right allowing for wind conditions.

### R/G/B ILLUMINATION

The 3 colors illumination will be used for more shooting scenes.

### ELEVATION ADJUSTMENT

The turret on top of the scope will adjust the reticle up and down allowing for bullet drop .

### OCULAR LENS

The viewing lens of the scope closest to the eye. The ring of the ocular lens adjusts the clarity of the reticle.

### EXIT EYE PUPIL

The larger the exit pupil the brighter the image.